

EASY REPLACEMENT
No Tools Means No Tools!



BL



BL

BLUE SERIES FILTERS

The **Blue** series incorporates surface-modified carbon block filter technology that is highly effective at reducing bad taste, odor, and the reduction of chlorine and chloramines from potable drinking water. The filters are made using high performance coconut shell carbon, which has more micropores compared to other types of carbon.

Coupled with a unique binder system, these carbon block filters deliver a product with superior adsorption capacity and kinetic dynamics. The unique high capacity filters provide cost effective water filtration solutions in a size and configuration that offer ease-of-use, extended service life, and high capacity with a low pressure loss.

The chloramine block is a proprietary media with an enormous number of catalytically active nitrogen groups for highly efficient reduction of chloramines. This enhanced catalytic functionality has **five** times more capacity for chloramine reduction than standard carbon blocks.

All components and materials are made with FDA approved materials, manufactured from NSF 61 Certified Coconut Shell carbon, and are California Prop 65 Compliant. Each filter comes with a unique handle design for lightweight and easy removal, a bag for proper disposal, and a double O-ring connection for the Cartridge Tank® plumbing adapter. Plumbing connection options are available with the **ONE-E3® Cartridge System**.

Blue series filters are available in the following configurations:

CT-03-CB: 3 micron carbon block—high capacity

CT-20-CB: 20 micron carbon block—high porosity/low pressure drop

CT-03-CB-AMINE: 3 micron carbon block—chloramine reduction

FEATURES

High-performance carbon

Unique binder system

Proprietary manufacturing process

Outer wrap of polypropylene

Netting of polyethylene

BENEFITS

Exceptionally low pressure drop

High dirt holding capacity

Effective at reducing unwanted bad taste and odor, along with chlorine and chloramine taste and odor from potable drinking water

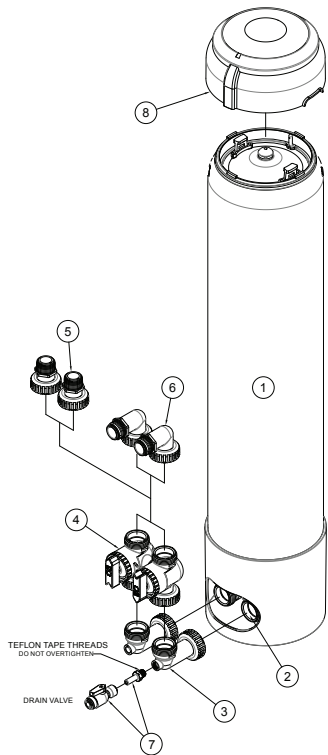
Excellent contaminant reductions

APPLICATIONS

Ideal for residential, food service, commercial and industrial applications

Ideal as polishing or pre-filters in applications requiring fine filtration and high capacity

TECHNICAL SCHEMATICS



PART IDENTIFICATION

1. ONE-E3 Filtration System / Housing
2. In/Out Head for 1.050" Riser Pipe
3. 90 Degree Vertical Elbow With/without Machined Drain Port
4. Bypass Manifold
5. 1" MNPT Straight Connector
6. 1" MNPT 90 Degree Elbow Connector
7. 3/8" PEX Drain Valve Kit Assembly With Shut-off
8. PCB Umbrella Without Electronics

E3 FILTRATION SYSTEM

INTEGRATED BYPASS, METER & DRAIN CONNECTION SYSTEM



The E3 connection system is available to use with all POE (point-of-entry) filters in the blue, green, yellow, orange, silver and white filtration series.

EASY REPLACEMENTS

NO TOOLS REQUIRED

1. PRESS THE RED PRESSURE RELIEF VALVE TO UNSEAT THE RING



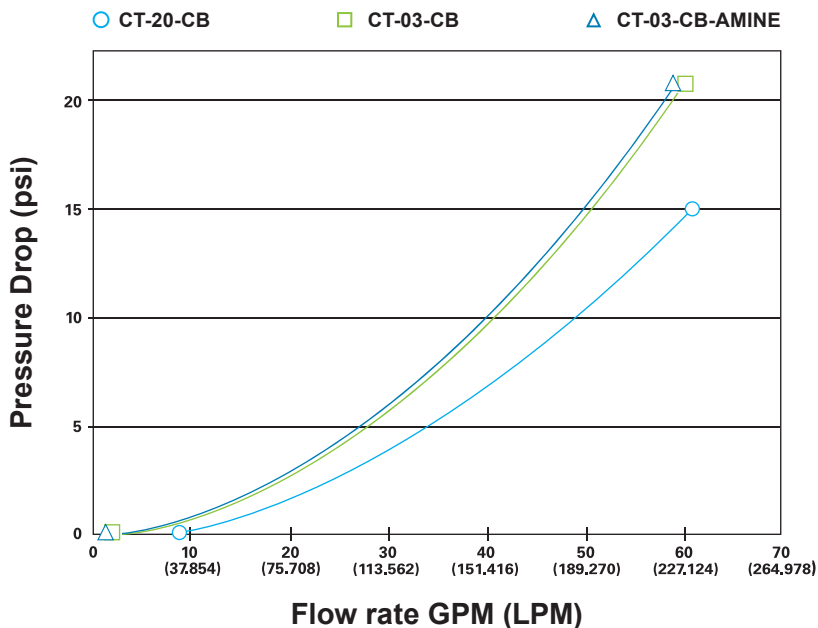
2. REMOVE SNAP RING



3. LIFT TOP CAP



FILTER PERFORMANCE



BETTER FILTRATION

THERE'S NO COMPETITION

Nominal 3 micron (CT-03-CB) rated filter:

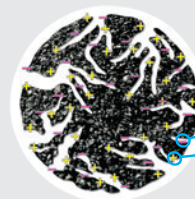
Treats >250,000 gallons (946,353 liters) of water at 15 gpm (56.78 LPM) with greater than 90% reduction (estimated capacity using 2 ppm of free chlorine).

Nominal 20 micron (CT-20-CB) rated filter:

Treats >150,000 gallons (567,812 liters) of water at 7 gpm (26.50 LPM) with greater than 90% reduction (estimated capacity using 2 ppm of free chlorine).

Nominal 3 micron Chloramine (CT-03-CB-AMINE) rated filter:

Treats >50,000 gallons (189,271 liters) of water at 7 gpm (26.50 LPM) with greater than 85% reduction (estimated capacity).



ACTIVATED CARBON PORE STRUCTURE

FUNCTIONAL GROUPS



ENPRESS®, ONE®, CARTRIDGE TANK®, E3®, AND UMBRELLA CAP® are trademarks of ENPRESS, LLC. US and International patents, and patent pending.

Performance claims are based on independent lab results and manufacturer's internal test data. Actual performance is dependent on influent water quality, flow rates, system design and applications. Your results may vary. Micron ratings based on 85% or greater removal of a given particle size. Flush new cartridges until water runs clear prior to use. Do not use with water that is microbiologically unsafe or of unknown quality without adequate disinfection before or after the system.

For more information, visit enpress.com or onefiltration.com

ENPRESS, LLC. // 34899 Curtis Blvd., Eastlake Ohio 44095 // Phone: 866.859.9274 // Fax: 440.510.0202 // info@enpress.com

© ENPRESS LLC 2022 | ONE® is an ENPRESS Filtration Technology | 01/2022