

EASY REPLACEMENT
No Tools Means No Tools!



YE



YE YELLOW SERIES FILTERS

Yellow series filters are dual gradient double-pleated filtration solutions for extended life and use, with filtration levels of 5 and 20 microns. The yellow series offers a combination filter composed of an outer layer of polypropylene string with a meltblown polypropylene core. The precision wound patterning provides greater surface area, higher dirt-loading capacity and greater efficiency than standard wound filter cartridges. As a dual media filter, they provide a cost-effective, extended life product capable of capturing a broad range of particulates with less than 15 Delta P and high service flow rates greater than 30+ gpm.

The large diameter pre-filter reduces particulate loading on the post-filter, allowing it to perform at higher velocities and capture fine sediment, sand, silt, rust and scale particles of 50 or 20 microns. This equates to higher particulate reduction and added loading capacity.

The meltblown core captures 20 or 5 micron particles depending on the filter configuration. This dual combination filter extends the life of the inner cartridge by eliminating premature caking and prevents down stream media migration common in string cartridges.

Each filter comes with a unique handle design for lightweight and easy removal, a bag for proper disposal, and a double O-ring connection for the Cartridge Tank® plumbing adapter. Plumbing connection options are available with the **ONE-E3® Cartridge System**.

Yellow series filters are available in the following configurations:

CT-2005-SWMB: External 20 micron string wound pre-filter, with 5 micron meltblown core

CT-5020-SWMB: External 50 micron string wound pre-filter, with 20 micron meltblown core

FEATURES

- Outer pre-filter manufactured using 100% polypropylene yarn
- Precision pattern captures 20 or 50 microns or larger
- Extends service life of inner filter
- Outer filter captures fine sediment, sand, silt, rust and scale particles
- Melt blown inner filter manufactured using thermally bonded polypropylene fibers
- Minimal pressure drop
- Consistent downstream flow without fiber migration

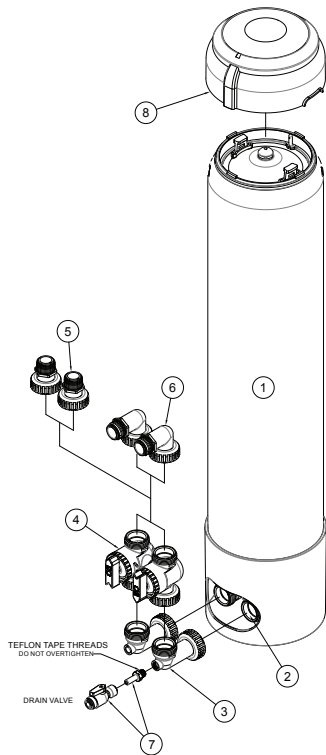
BENEFITS

Microorganism resistant	Excellent chemical resistance
NSF component	High dirt holding capacity
Nominally rated as stated	Graded density
High purity	

APPLICATIONS

Potable water	Food/beverage
Pre-RO	Fine chemicals
Electronics	Metal finishing
Plating solutions	Oxidizing agents
Corrosive fluids	Gases
Concentrated acids and alkali	

TECHNICAL SCHEMATICS



PART IDENTIFICATION

1. ONE-E3 Filtration System / Housing
2. In/Out Head for 1.050" Riser Pipe
3. 90 Degree Vertical Elbow With/without Machined Drain Port
4. Bypass Manifold
5. 1" MNPT Straight Connector
6. 1" MNPT 90 Degree Elbow Connector
7. 3/8" PEX Drain Valve Kit Assembly With Shut-off
8. PCB Umbrella Without Electronics

E3 FILTRATION SYSTEM

INTEGRATED BYPASS, METER & DRAIN CONNECTION SYSTEM



The E3 connection system is available to use with all POE (point-of-entry) filters in the blue, green, yellow, orange, silver and white filtration series.

EASY REPLACEMENTS

NO TOOLS REQUIRED

1. PRESS THE RED PRESSURE RELIEF VALVE TO UNSEAT THE RING



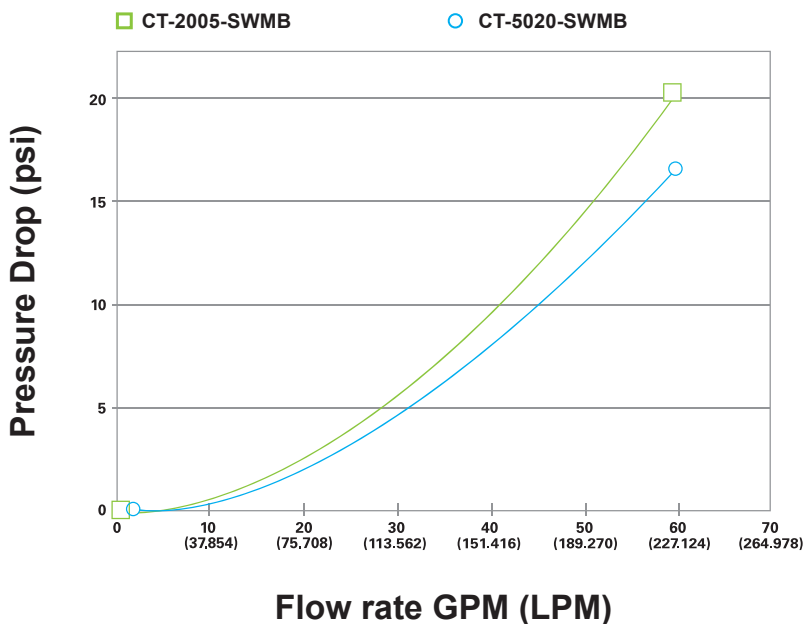
2. REMOVE SNAP RING



3. LIFT TOP CAP



FILTER PERFORMANCE



BETTER FILTRATION

THERE'S NO COMPETITION

Extended service life: 6, 12, 18, or 24 months vs. 1–3 months, with 3x media content and 2x surface area vs. less efficient options.

2x surface area: Wound in a precise pattern, which provides greater surface area, higher dirt-loading capacity, and greater efficiency than that of a standard wound cartridge. The precise pattern offers 30–50% improved efficiency. (ENPRESS surface area = 566.46 sq. in.; Standard 4.5x20 = 283.23 sq. in.) —2x the surface area.

3x media content: Both the ENPRESS 50x20 and 20x5 filters have a finished medium weight of 9 pounds, with a yarn content of 7.75 pounds. A standard 4.5x20 cartridge has a medium string weight of 2.5 pounds—3x the media content.



ENPRESS®, ONE®, CARTRIDGE TANK®, E3®, AND UMBRELLA CAP® are trademarks of ENPRESS, LLC. US and International patents, and patent pending.

Performance claims are based on independent lab results and manufacturer's internal test data. Actual performance is dependent on influent water quality, flow rates, system design and applications. Your results may vary. Micron ratings based on 85% or greater removal of a given particle size. Flush new cartridges until water runs clear prior to use. Do not use with water that is microbiologically unsafe or of unknown quality without adequate disinfection before or after the system.

For more information, visit enpress.com or onefiltration.com

ENPRESS, LLC. // 34899 Curtis Blvd., Eastlake Ohio 44095 // Phone: 866.859.9274 // Fax: 440.510.0202 // info@enpress.com

© ENPRESS LLC 2022 | ONE® is an ENPRESS Filtration Technology | 01/2022