

EASY REPLACEMENT
No Tools Means No Tools!



SV



SV

SILVER SERIES FILTERS

Silver series filters are meltblown residential/light commercial filtration solutions for the **ONE-E3® Filtration System**. These POE (point-of-entry) filter series are high flow rate sediment filtration solutions for service flow rates up to 50 GPM (189 LPM). Silver series filters can be utilized with the ENPRESS E3 Filtration System with integrated bypass and 1" MNPT connections.

Exclusively designed for the Cartridge Tank®, these filters are a direct replacement for expensive stainless-steel housings used in RO pre-filtration, process water, cooling towers, and other commercial and industrial applications. Silver series filters have significant surface area, low pressure drop, and high flow rate capabilities. The filters are also ideal as polishing or pre-filters in applications requiring depth filtration for fine soft particulate filtration. Utilizing 100% meltblown polypropylene media, these are the filtration solutions of the future!

Each filter comes with a uniquely designed top cap with a handle for lightweight and easy removal, a bag for proper disposal, and a double O-ring connection. All components are manufactured from NSF 61 and FDA Certified materials.

Silver series filters are available in the following configurations:

CT-RES05-MB: 5 micron

CT-RES20-MB: 20 micron

FEATURES

- Durable and chemical resistant polypropylene filter and cap construction
- Double EPDM O-ring seals
- Unique filter handle design

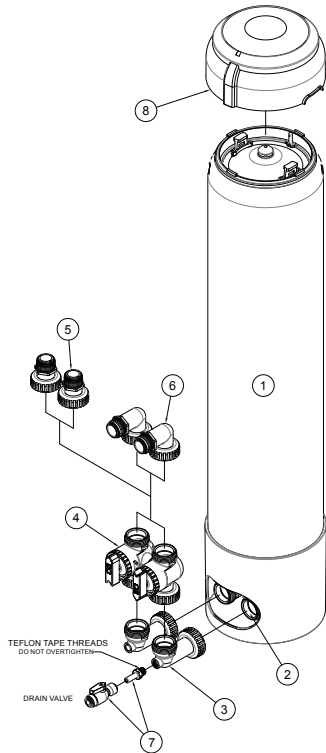
BENEFITS

- Extended service life, contaminant removal, and dirt holding capacity
- Low pressure drop = high flow
- Insures no bypass of contaminants and high chemical compatibility
- Prevent collapsing of filters under high flow or contaminant load applications
- Bacteria and chemical resistant
- Ease of filter removal from housing

APPLICATIONS

- Ideal for residential, food service, rental fleets, commercial and industrial applications
- Make-up water, RO pre-filtration, cooling towers, chill water loops, metal finishing
- Process water (turbidity, particulate, colloidal suspensions)
- Community water, livestock and poultry water systems
- Replacement of bag filters with more surface area and capacity
- Other water-based fluid solutions

TECHNICAL SCHEMATICS



PART IDENTIFICATION

1. ONE-E3 Filtration System / Housing
2. In/Out Head for 1.050" Riser Pipe
3. 90 Degree Vertical Elbow With/without Machined Drain Port
4. Bypass Manifold
5. 1" MNPT Straight Connector
6. 1" MNPT 90 Degree Elbow Connector
7. 3/8" PEX Drain Valve Kit Assembly With Shut-off
8. PCB Umbrella Without Electronics

E3 FILTRATION SYSTEM

INTEGRATED BYPASS, METER & DRAIN CONNECTION SYSTEM



The E3 connection system is available to use with all POE (point-of-entry) filters in the blue, green, yellow, orange, silver and white filtration series.

EASY REPLACEMENTS

NO TOOLS REQUIRED

1. PRESS THE RED PRESSURE RELIEF VALVE TO UNSEAT THE RING



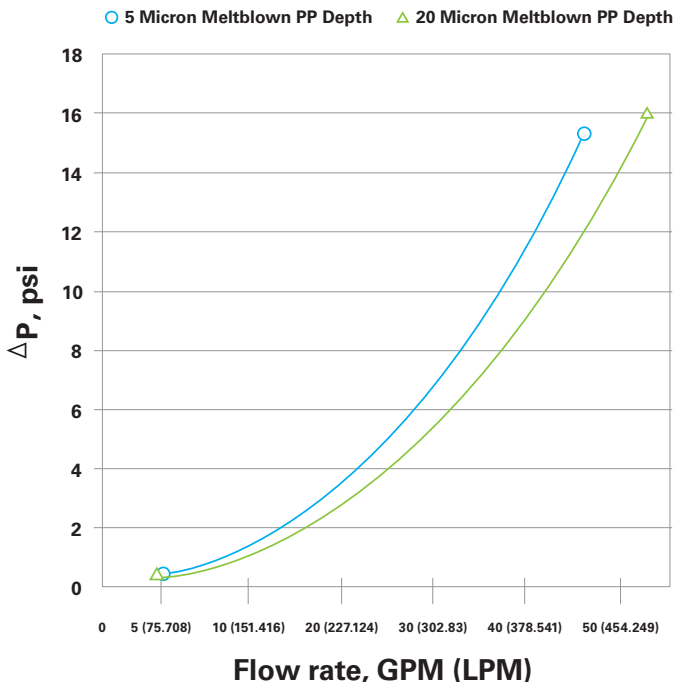
2. REMOVE SNAP RING



3. LIFT TOP CAP



FILTER PERFORMANCE



BETTER FILTRATION

THERE'S NO COMPETITION

Maximum flow rate of all other configurations of 50 GPM (380 LPM).

Maximum pressure differential of 30 psi.

Performance claims are based on independent lab results and manufacturer's internal test data. Actual performance is dependent on influent water quality, flow rates, system design and applications. Your results may vary. Micron ratings based on 85% or greater removal of a given particle size. Flush new cartridges until water runs clear prior to use. Do not use with water that is microbiologically unsafe or of unknown quality without adequate disinfection before or after the system.



ENPRESS®, ONE®, CARTRIDGE TANK®, E3®, AND UMBRELLA CAP® are trademarks of ENPRESS, LLC. US and International patents, and patent pending.

For more information, visit enpress.com or onefiltration.com

ENPRESS, LLC. // 34899 Curtis Blvd., Eastlake Ohio 44095 // Phone: 866.859.9274 // Fax: 440.510.0202 // info@enpress.com